

Prizm Trough Collection

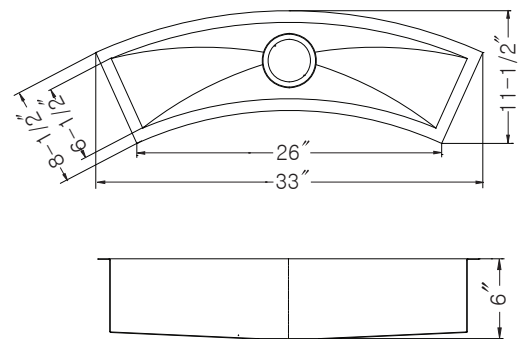
Zero Radius Undermount Curved Trough Bar/Prep Bowl Model PRI-3312BT



FEATURES

PRI-3312BT

- Premium grade T-304 stainless steel
- 6" depth • 18 gauge
- Totalguard+ insulation
- True zero radius ledge and bottom
- Brushed satin • 3-1/2" drain opening
- Fits 36" sink base
- Supplied with cutout template, fasteners and instructions
- cUPC® Listed
- Lifetime Limited Warranty



ASME A112.19.3-2008



OPTIONAL ACCESSORIES

Strainer: BAS-2000-SS

Wire rack : SWR-139

OVERALL DIMENSIONS	EACH BOWL	CUTOUT SIZE	PACKAGING*	WEIGHT*
33" x 11-1/2"	26" x 6-1/2"	See Template	1/16 pcs.	20/350 lbs.

*Standard packaging: Single boxed /Pallet of single boxed.

All dimensions are in inches. Specifications subject to change without notice.

Project/Job name _____

Architect/Engineer _____

Contractor _____

Model _____ Q'ty _____

Notes _____

Installation profile

