

Gourmet Collection

Undermount 60/40 Gourmet Double Bowl Model GOR-3221DR



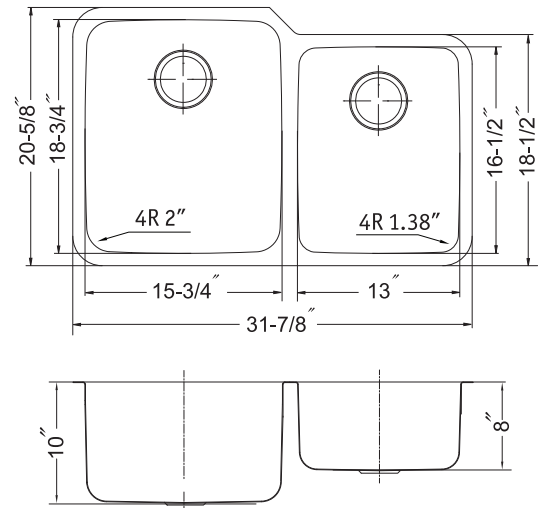
GOR-3221DR

FEATURES

- Premium grade T-304 stainless steel
- 10" & 8" depth
- 16 gauge
- StoneShield undercoating over Sound Deadening pad
- Lustrous satin with highlighted rim
- Fits 36" sink base • 3-1/2" drain opening
- Supplied with cutout template, fasteners and instructions
- cUPC® Listed
- Lifetime Limited Warranty



ASME A112.19.3-2008



OPTIONAL ACCESSORIES

Bottom Grid: SWG-1517

Strainer: BAS-2000-SS

OVERALL DIMENSIONS	EACH BOWL	CUTOUT SIZE	PACKAGING*	WEIGHT*
31-7/8" x 20-5/8"	15-3/4" x 18-3/4" 13" x 16-1/2"	See Template	1/16/20 pcs.	28/480/500 lbs.

*Standard packaging: Single boxed /Pallet of single boxed/Pallet of bulk pack.
All dimensions are in inches. Specifications subject to change without notice.

Project/Job name _____

Architect/Engineer _____

Contractor _____

Model _____ Q'ty _____

Notes _____

Installation profile

