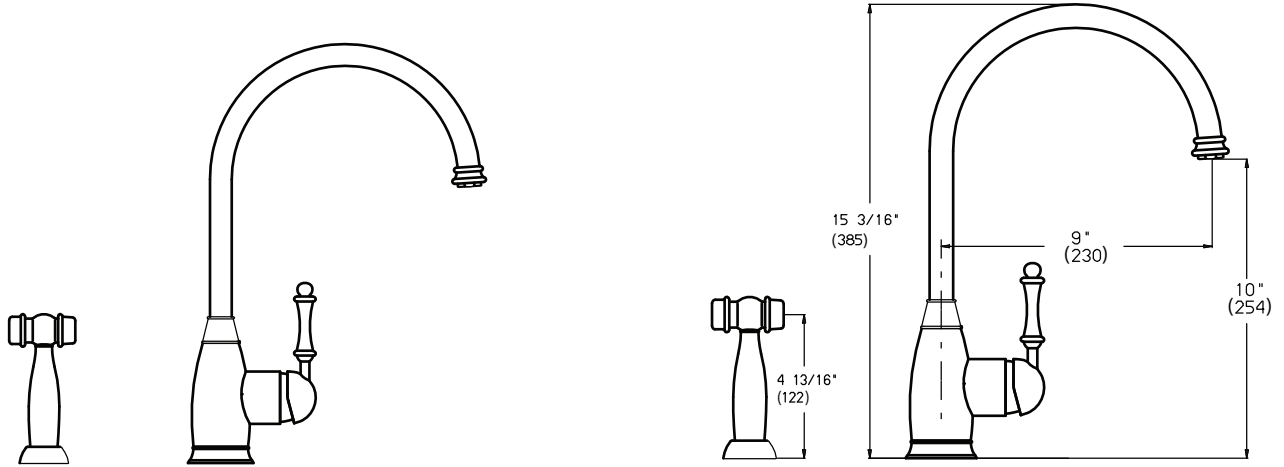


EXSH - 4000 Exeter Single Handle Kitchen faucet

Recommended pressure range: 15-88 PSI (1-6 bar)

Max. temperature: 176°F (80°C)



Instructions:

1. Flush out some water from hot and cold valve in the wall. This will ensure smooth operation during the faucet life.
2. Remount lock nut, metal washer, one rubber washer and plastic spacer. A second rubber washer or O-ring, depending on the model, will remain on the faucet
3. Insert faucet body into sink.
4. Remount rubber washer followed by plastic base, if necessary, and metal washer to faucet shank under sink. Remount lock nut to shank and hand-tighten.
5. Be sure the faucet is aligned properly. Make final tightening of lock nut.
6. Install the spout and rotate to the left and right, noting where it stops. Be sure the faucet is aligned properly. Make final tightening of lock nut.
7. Connect the supply hoses to the hot and cold water supply valves. When tightening the nut be sure not to twist the hoses.
8. Confirm that faucet operating handle is in closed position and open supply valves, check connections for leakage.

Cleaning:

1. The aerator should be removed periodically and cleaned, depending on the quality of water.
2. In order to maintain the sparkling appearance of the finishes, wipe after each use with a soft cloth. Use only a mild soap or household vinegar to clean the faucet. Do not use steel wool or cleaning agent containing alcohol, acids, abrasives, etc.

Operation:

1. The mixer is operated by moving the handle.
2. Swivel handle back and forward for cold and hot water. For mixed water, keep the handle in the middle until the desired temperature is reached.
3. To control the water flow, pull the handle away from the body until you reach the desired flow.

