

## Edition Collection

### Topmount Gourmet Single Bowl

**Model EDI-3322ST-1** 1 hole

**EDI-3322ST-4** 4 hole



## FEATURES

EDI-3322ST

- Premium grade T-304 stainless steel
- 9" depth • 18 gauge
- 1 or 4 holes
- StoneShield undercoating over Sound Deadening pad
- Lustrous satin with highlighted rim
- Fits 36" sink base
- 3-1/2" drain opening
- Supplied with fasteners and instructions
- Complies with ASME A112.19.3-2008, cUPC®
- Lifetime Limited Warranty



ASME A112.19.3-2008

**TYPE304**  
PREMIUM STAINLESS STEEL

**SOUND**  
DEADENING PADS

**StoneShield™**  
UNDERCOAT PROTECTION

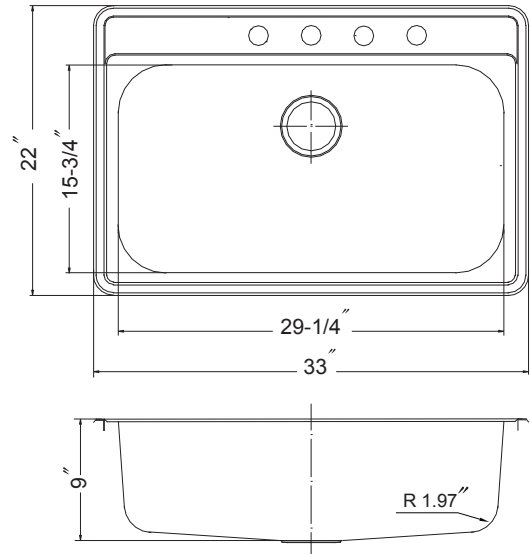
**Lifetime**  
Warranty

## OPTIONAL ACCESSORIES

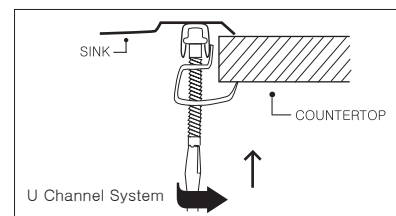
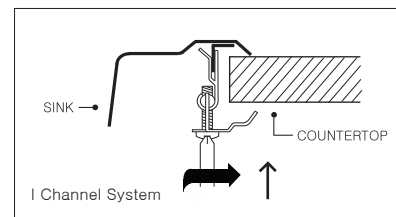
Bottom Grid: SWG-2714

Cutting Board : CUT-1417

Strainer: BAS-2000-SS



## Installation profile



OVERALL DIMENSIONS	EACH BOWL	CUTOUT SIZE	PACKAGING*	WEIGHT*
33" x 22"	29-1/4" x 15-3/4"	See Template	1/14/20 pcs.	30/450/530lbs.

\*Standard packaging: Single boxed /Pallet of single boxed/Pallet of bulk pack.  
All dimensions are in inches. Specifications subject to change without notice.

Project/Job name

Architect/Engineer

Contractor

Model

Q'ty

Notes