

## Aspect Collection

# Undermount Small Bar/Prep Sink Model ASP-1315B



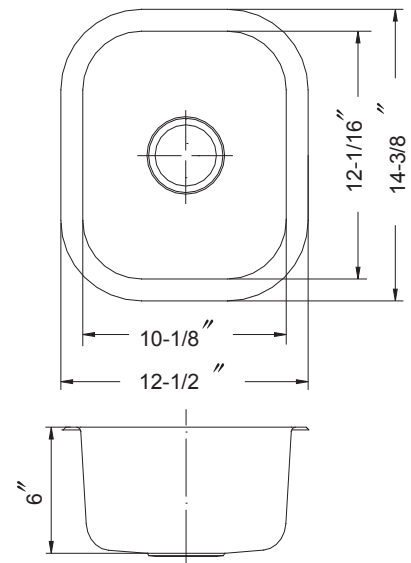
ASP-1315B

### FEATURES

- Premium grade T-304 stainless steel
- 6" depth • 18 gauge
- StoneShield undercoating over Sound Deadening pad
- Lustrous satin with highlighted rim
- Fits 18" sink base
- 3-1/2" drain opening
- Supplied with cutout template, fasteners and instructions
- Complies with ASME A112.19.3-2008, UPC®
- Lifetime Limited Warranty



ASME A112.19.3-2008



### OPTIONAL ACCESSORIES

Bottom Grid: SWG-1300

Strainer: BAS-2000-SS

OVERALL DIMENSIONS	EACH BOWL	CUTOUT SIZE	PACKAGING*	WEIGHT*
14-3/8" x 12-1/2"	12-1/16" x 10-1/8"	See Template	1/32/40 pcs.	6/230/250 lbs.

\*Standard packaging: Single boxed /Pallet of single boxed/Pallet of bulk pack.  
All dimensions are in inches. Specifications subject to change without notice.

Project/Job name \_\_\_\_\_

Architect/Engineer \_\_\_\_\_

Contractor \_\_\_\_\_

Model \_\_\_\_\_ Q'ty \_\_\_\_\_

Notes \_\_\_\_\_

### Installation profile

